

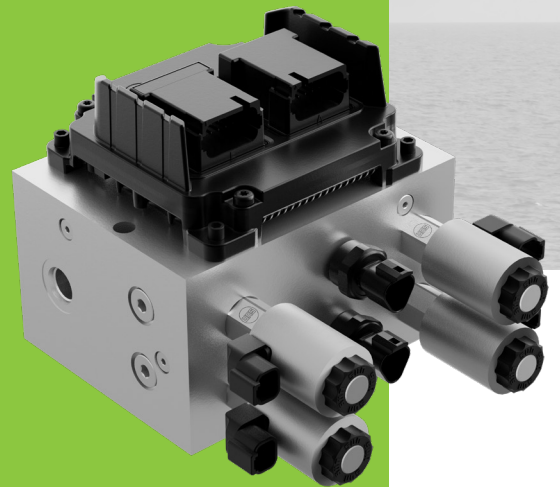
# ecoline™



## eSense™

load-holding solution

stability +  
efficiency



**SUN** hydraulics®  
A HELIOS TECHNOLOGIES COMPANY

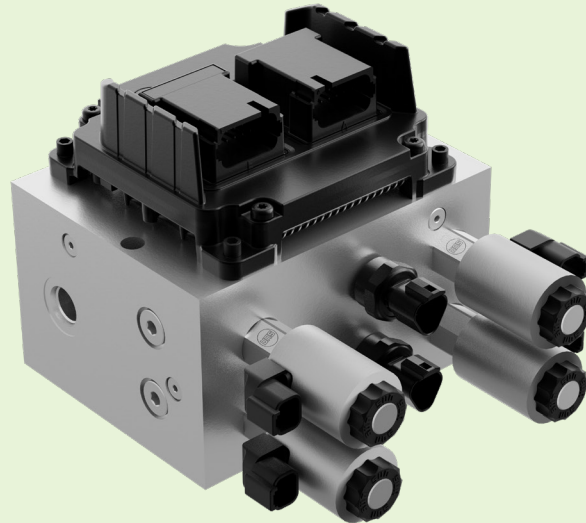
# Save energy *without* sacrificing performance with eSense™

In collaboration with Purdue University, Sun Hydraulics has created the next generation of load-holding technology. Part of the new ecoline™ program, eSense™ is the efficient and innovative solution the world has been waiting for. This powerhouse solution adapts to any load and provides up to **85% of energy-efficient power** to your application. Combatting the industry's ongoing challenge for shock absorption, eSense™ provides up to **90% less oscillation**. Resilient and compact, this low-leakage solution is optimized for the user's smooth control and safety.

## eSense™

*featuring the*  
uControl™ Mobile  
Controller from  
Enovation Controls

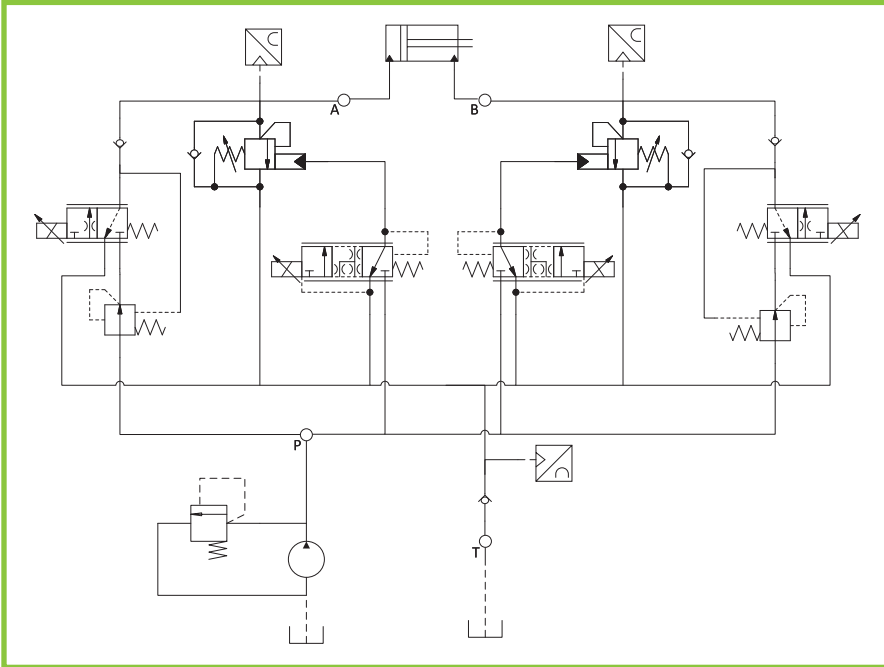
- Multiple CAN interfaces
- High-current output option
- IP69K sealed
- High heat, high-vibration resistance



Includes wiring harness

# STABILITY + EFFICIENCY in counterbalance

## eSense™ example schematic:

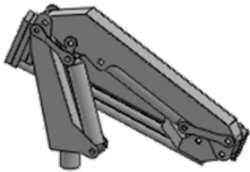


## Possible Applications

- Hydraulic Press
- Gantry crane
- Planter
- Material handling machine
- Crane
- Scissor lift

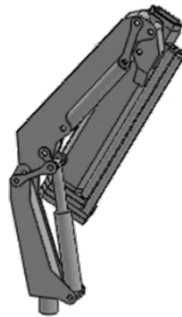
## eSense™ example results versus standard counterbalance:

### Main Boom Extension



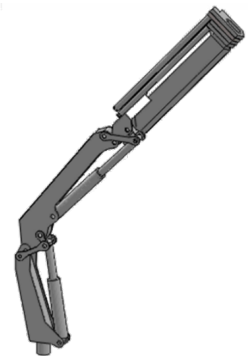
85% Energy Savings  
15% Less Oscillation

### Main Boom Retraction Outer Boom Folded



78% Energy Savings  
1% More Oscillation

### Main Boom Retraction Outer Boom Unfolded



84% Energy Savings  
89% Less Oscillation

from the World Leader  
valve technology.

## about ecoline™


As a leading manufacturer of high-performance cartridge valves and integrated packages, Sun Hydraulics has gathered a collection of innovative solutions proven to significantly boost and improve energy efficiency, reduce fuel consumption, and ultimately provide cost savings for the end user.

Sun's new ecoline™ program is comprised of popular products such as the LoadMatch™ cartridge valve, LoadAdaptive™, Series 4 PLUS cartridges, T-18AU & T-19 AU cavities, Sun Cavity & QuickDesign™, Energen and the latest ecofriendly addition, the eSense™ solution. Contact us to learn more about ecoline™ and how these products can optimize the efficiency of your application.



A HELIOS TECHNOLOGIES COMPANY

 Sarasota, Florida USA

 +1 941 362 1200

 [www.sunhydraulics.com](http://www.sunhydraulics.com)